



KIT PART NUMBERS 1572271 AND 1582109

INSTRUCTIONS FOR INSTALLING A WIRE BLOCK KIT IN A SNACK CENTER

CHECK THE PARTS RECEIVED IN THE KIT WITH THE PARTS LIST IN THESE INSTRUCTIONS. IF ANY PARTS ARE MISSING, CONTACT THE NATIONAL VENDORS PARTS DEPARTMENT IMMEDIATELY.

Read these instructions carefully before installing the kit.
Keep these instructions for part numbers and for future reference.

This kit contains the following:

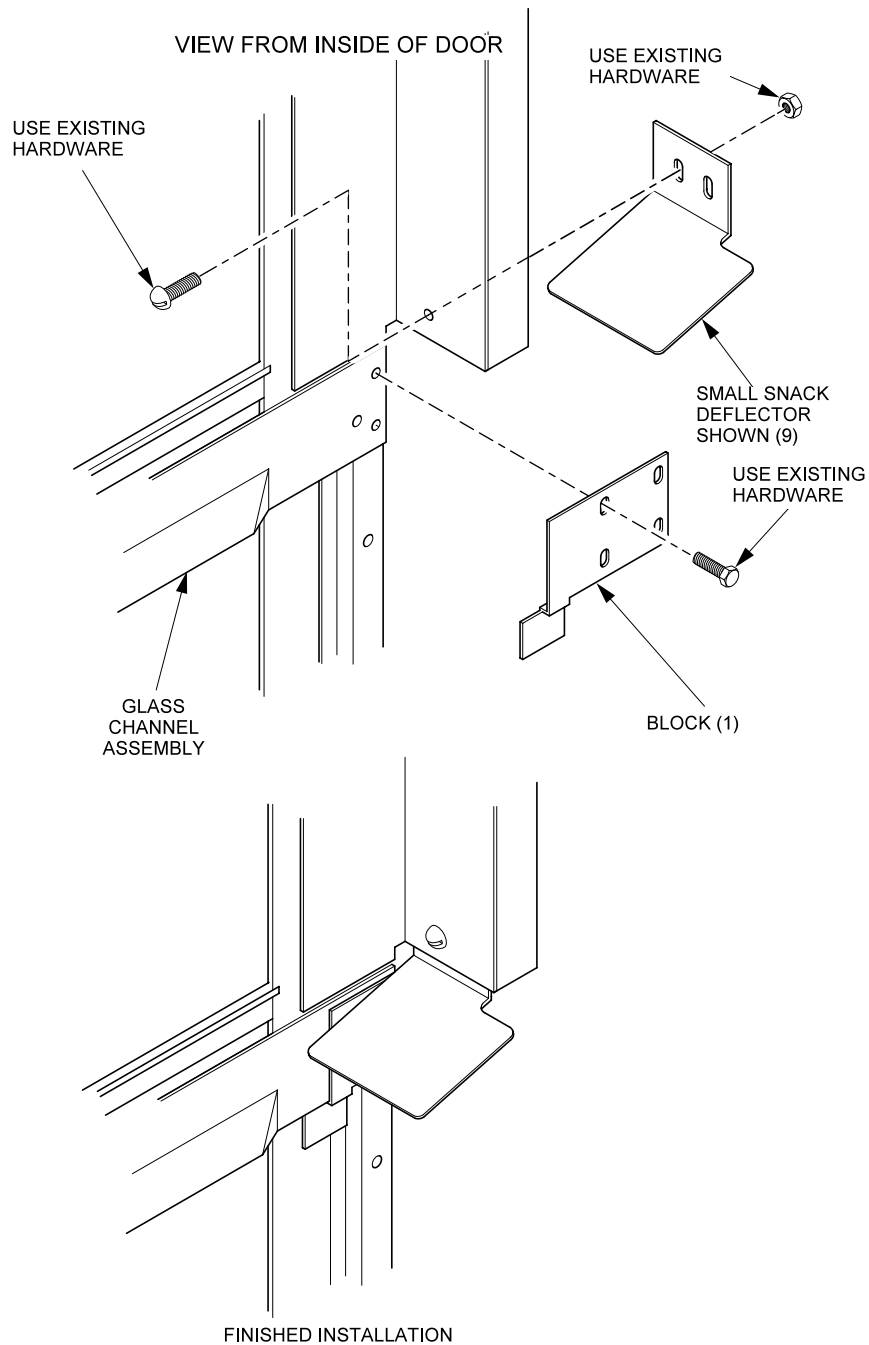
INDEX	PART NUMBER	DESCRIPTION	QUANTITY
1	1572088	BLOCK - DOOR - L.H.	1
2	1572089	BLOCK - DOOR - R.H.	1
3	1572090	BLOCK - L.H. - DELIVERY DOOR	1
4	1572091	BLOCK - R.H. - DELIVERY DOOR	1
5	1572092	BLOCK - WIRE - L.H.	1
6	1572093	BLOCK - WIRE - R.H.	1
7	1572095	DEFLECTOR ASSEMBLY - L.H.	1
8	1572098	DEFLECTOR ASSEMBLY - R.H.	1
9	1572270	DEFLECTOR - L.H. - LARGE SNACK	1
	1582108	DEFLECTOR - L.H. - SMALL SNACK	
10	1570106	INSTALLATION INSTRUCTIONS	1



Proceed as follows:

See figure 1:

1. Remove the delivery pan from the door assembly.
2. On the inside of the door, remove the existing hardware as shown and install the deflector (9), and the L.H. block (1). Note the finished installation.
2. Install the R.H. block (2) on the other side of the door.



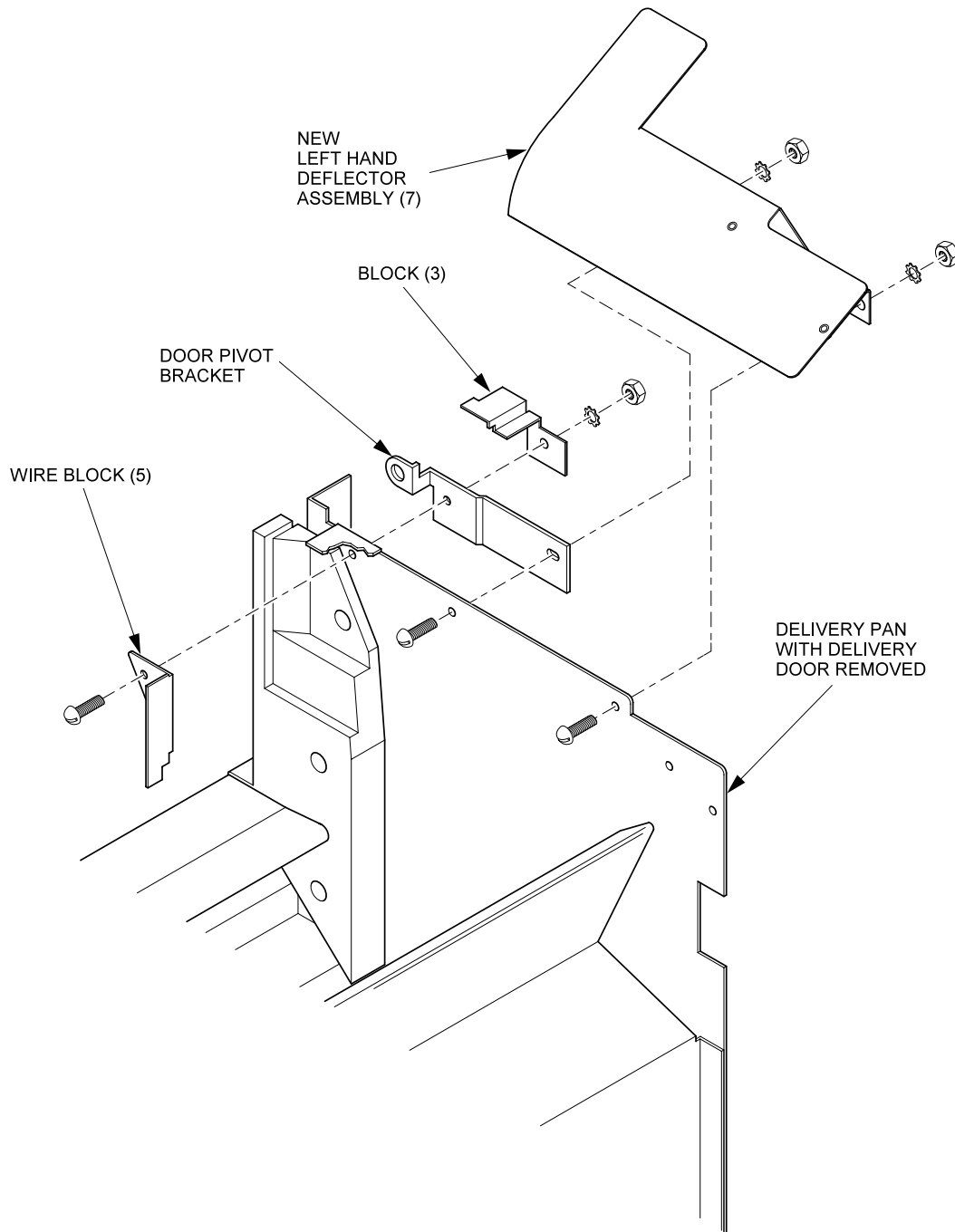
157pk017

Figure 1



See figure 2:

1. Remove both of the door pivot brackets.
2. Move the delivery door toward you and out of the way.
3. Remove the existing left hand deflector assembly.
4. Install the new left hand deflector assembly (7), the left hand delivery door block (3), and the left hand wire block (5)



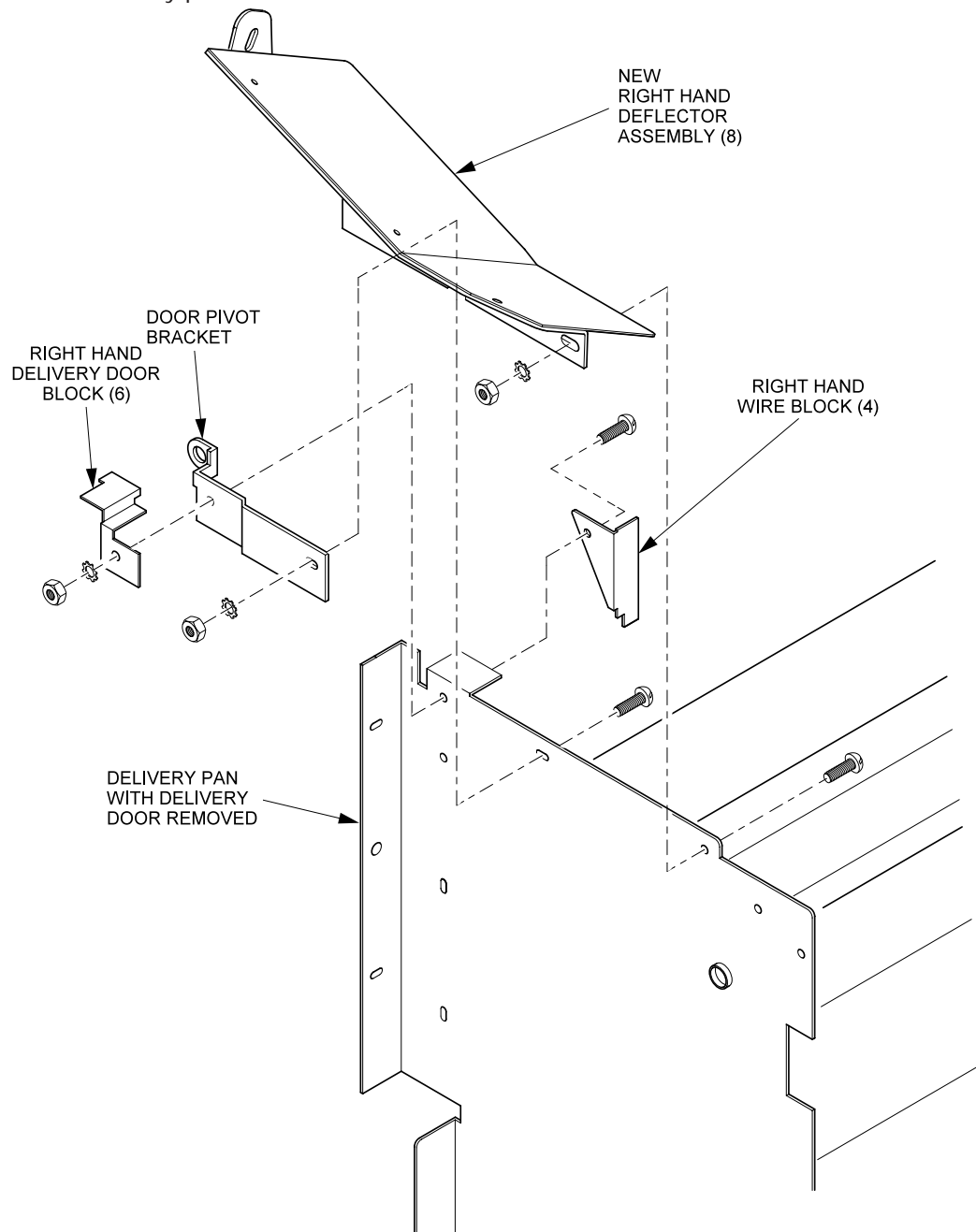
157pk018

Figure 2



See figure 3:

1. Remove the existing right hand deflector assembly.
2. Install the new right hand deflector assembly (8), the right hand delivery door block (4), and the right hand wire block (6).
3. Put the delivery door back into position and install both door pivot brackets you removed previously.
4. Replace the delivery pan.



157pk019

Figure 3